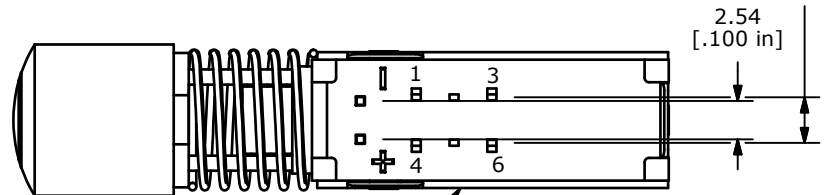
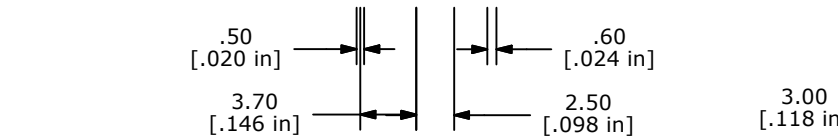
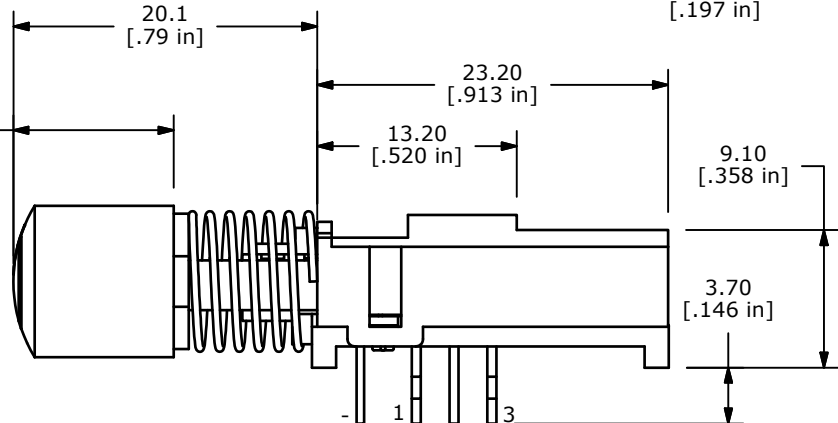
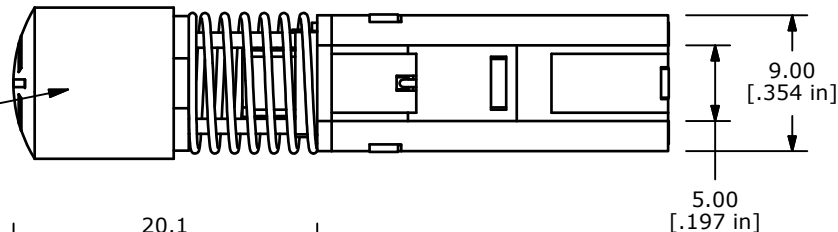
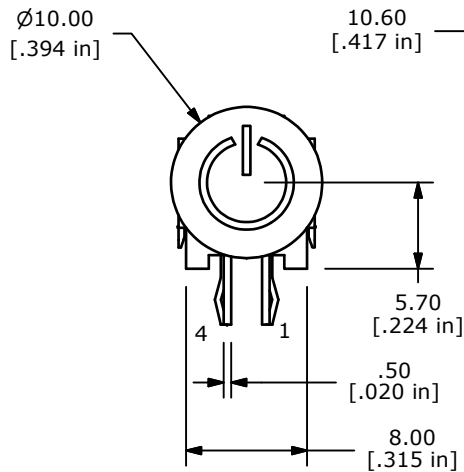
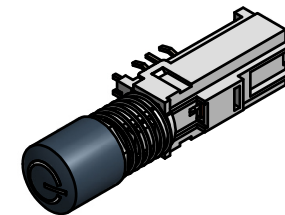


▲ R05 BUTTON
BLACK, POWER SYMBOL
(B410002)



▲ WBL2UEERGQ
(B400005)



NOTES:

1. ALL DIMENSIONS IN MM [INCH]
2. GENERAL TOLERANCE: x.x±0.4mm
x.xx±0.25mm
3. RATING: DC 30V, 0.3A
4. OPERATING FORCE: 200± 100gf
5. TRAVEL: 3.5mm FULL TRAVEL
2.5mm TO LOCK
6. LIFE CYCLES: 10,000 CYCLES
7. OPERATING TEMPERATURE: -20°C TO 70°C
8. CONTACT RESISTANCE: 20mΩ MAX.
9. INSULATION RESISTANCE: 100MΩ MIN@ 500VDC.
- ▲10. LED COLOR: RED / GREEN
11. ▲ DENOTES CRITICAL PARAMETER.
12. 2002/95/EC (RoHS) COMPLIANT.

LED SPECS	UNITS	RED	GREEN
FORWARD CURRENT	mA	30	25
FORWARD VOLTAGE @20mA	V	2.0 Typ-2.5 Max	2.2 Typ - 2.5 Max
LUMINOUS INTENSITY @ 20mA	MCD	30 Typ	30 Typ



TITLE WBL2UEERGQR05BLKPWR				
SCALE 2	DATE 11/7/2014	DR rc	DWG XB0945P	REV A

A	21712	Release For Production	11/7/14	rc
REV	PCR NO	DESCRIPTION	DATE	BY

THE INFORMATION CONTAINED IN THIS DOCUMENT IS PROPRIETARY TO E-SWITCH AND IS NOT TO BE COPIED OR TRANSFERRED